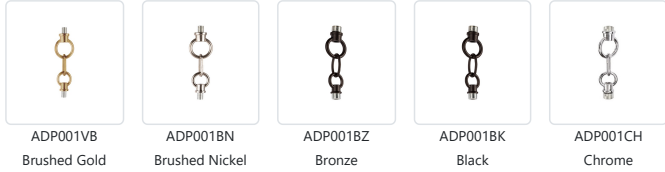


**ADP001**  
ADAPTORS

PROJECT

**DESCRIPTION**

Electro-plated or powder coated aluminum, brass and steel. Available in five finishes.



ADP001VB  
Brushed Gold

ADP001BN  
Brushed Nickel

ADP001BZ  
Bronze

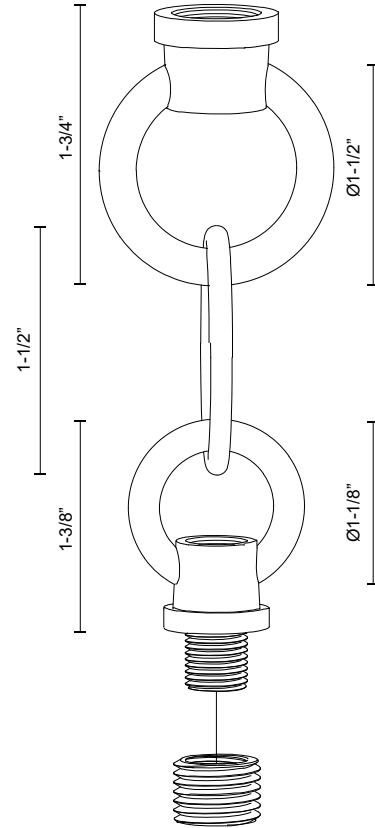
ADP001BK  
Black

ADP001CH  
Chrome

**SPECIFICATION DETAILS**

\* For custom options, consult factory for details.

<b>Fixture Dimensions</b>	W1-1/2" x D3/4" x H4"
<b>Location</b>	Dry
<b>Warranty</b>	5 Years



**KUZCO**

19054 28TH AVENUE  
SURREY - BC V3Z 6M3  
CANADA

WWW.KUZCOLIGHTING.COM

COMMENT